

# Endurawall



**Corrugated Sidewall  
Conveyor Belting**

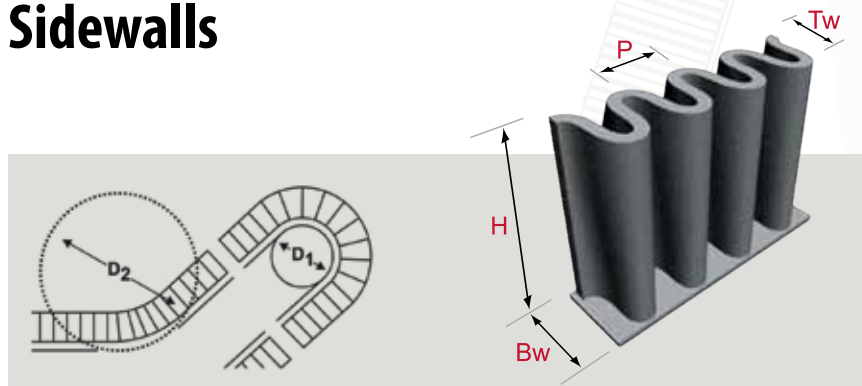
# Endurawall



Made to strict International standards and subjected to rigorous testing procedures.

Corrugated sidewall conveyor belting has long been established as the industry standard for high angle bulk material conveying. Endurawall corrugated sidewall belting is specifically designed to meet the needs of this highly technical industry segment. Our quality manufacturing process, and outstanding performance features combined with our technical expertise make Endurawall the ideal solution for both new installations and existing belt replacements.

## Sidewalls



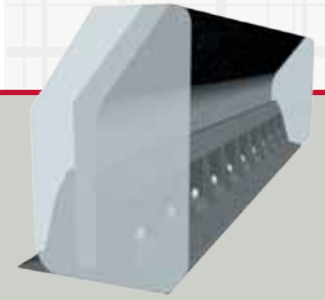
TYPE	H mm	Bw mm	Tw mm	P mm	MIN PULLEY Ø mm D1	MIN PULLEY Ø mm D2	WEIGHT kg/m
S	40	35	30	30	125	200	0.60
S	60	50	45	40	160	250	1.56
S	80	50	45	40	200	350	1.80
S	100	50	45	40	250	400	2.23
S	120	50	45	40	315	500	2.67
HDS	120	75	70	60	315	500	4.01
HDS	160	75	70	60	400	630	4.77
HDS	200	75	70	60	500	800	6.48
HDS	250	75	70	60	630	1000	7.55
HDS	280	75	70	60	800	1200	8.60
HDS	300	75	70	60	800	1200	9.30
XHDS	300	100	90	75	800	1200	12.50
XHDS	400	100	90	75	1000	1600	18.75

All sidewalls are available with or without fabric reinforcement except XHDS which is always fabric reinforced.



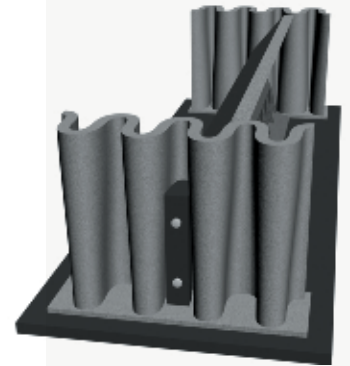
## Side Blinkers

Available as an option, side blinkers are placed between the wall and cleat. This installation will minimize the amount of material catching in between the corrugations and the cleat, therefore reducing carryback and spillage. Particularlly useful in applications where the material is small and free-flowing.



## Installation Hardware

All required installation hardware is provided with the belt including fasteners, washers and sidewall support fittings.



## Hot Bonding Process Protect Your Investment!

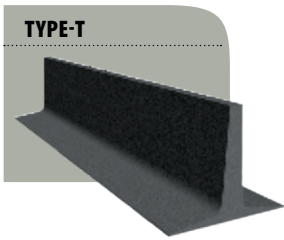
Our hot bonding process allows us to hot vulcanize both the cleats and sidewalls to the base belt, extending belt life in almost every application.

### Advantages:

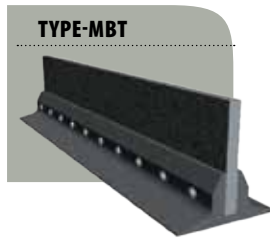
- Hot bonding dramatically increases the adhesion of the sidewalls & cleats to the base belt, resisting separation & delamination over time.
- Hot bonding prevents sidewall & cleat separation in applications with elevated belt temperatures, where cold cure products often fail due to cement reversion.
- Hot bonding prevents bond failure due to extreme cold.



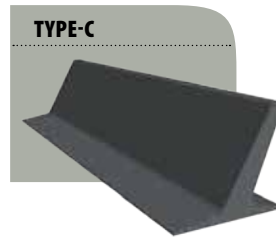
# Cleats



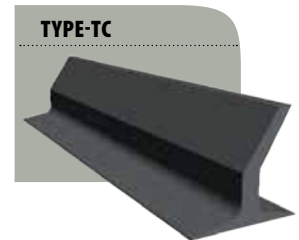
TYPE-T



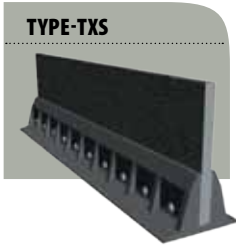
TYPE-MBT



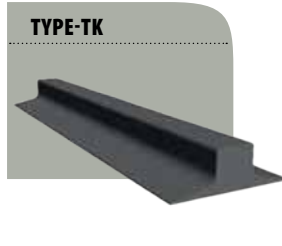
TYPE-C



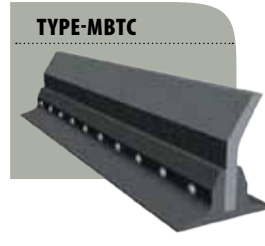
TYPE-TC



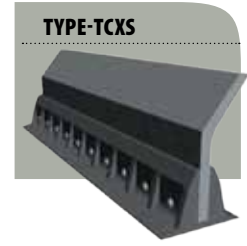
TYPE-TXS



TYPE-TK



TYPE-MBTC



TYPE-TCSX

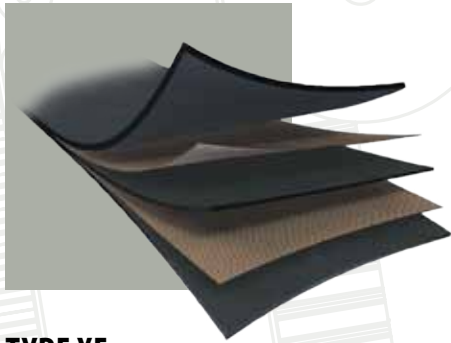
HEIGHT mm	BASE WIDTH mm	WEIGHT kg/m	MIN PULLEY Ø mm D1	TYPICAL SIDEWALL
<b>TYPE-T ONE PIECE T-CLEAT</b>				
20	40	0.28	75	S-40
25	40	0.30	75	S-40
35	55	0.55	100	S-40
40	70	0.60	125	S-60
55	80	1.45	125	S-60
75	80	1.80	150	S-80
90	110	2.50	250	S-100
110	110	2.80	315	S-120
140	160	6.60	400	HDS-160
180	160	8.30	500	HDS-200
230	175	10.46	630	HDS-250
<b>TYPE-MBT* TWO PIECE T-CLEAT</b>				
110	160	7.90	315	HDS-120
140	160	9.25	400	HDS-160
180	160	11.50	500	HDS-200
230	160	13.50	630	HDS-250
250	160	14.60	630	HDS-280
280	160	17.65	800	HDS-300
360	160	19.25	1000	XHDS-400
<b>TYPE-TXS* TWO PIECE EXTRA HEAVY T-CLEAT</b>				
230	210	17.85	630	HDS-250
250	220	18.60	630	HDS-280
280	230	19.50	800	XHDS-300
360	230	22.50	1000	XHDS-400
<b>TYPE-TK DRAG OUT CLEAT</b>				
35	110	1.65	100	S-40
40	110	1.80	100	S-60

HEIGHT mm	BASE WIDTH mm	WEIGHT kg/m	MIN PULLEY Ø mm D1	TYPICAL SIDEWALL
<b>TYPE-C ONE PIECE SCOOP CLEAT</b>				
35	55	0.50	100	S-40
55	75	1.50	125	S-60
75	80	2.00	150	S-80
90	110	2.30	275	S-100
110	110	2.50	275	S-120
<b>TYPE-TC ONE PIECE BUCKET CLEAT</b>				
75	80	1.80	150	S-80
90	110	2.50	275	S-100
110	110	2.80	275	S-120
140	160	6.60	350	HDS-160
180	160	8.30	350	HDS-200
230	175	10.46	450	HDS-250
<b>TYPE-MBTC* TWO PIECE BUCKET CLEAT</b>				
110	160	7.90	315	HDS-120
140	160	9.25	400	HDS-160
180	160	11.50	500	HDS-200
230	160	13.50	630	HDS-250
250	160	14.60	630	HDS-280
280	160	17.65	800	HDS-300
360	160	19.25	1000	XHDS-400
<b>TYPE-TCSX* TWO PIECE EXTRA HEAVY BUCKET CLEAT</b>				
230	225	17.95	630	HDS-250
250	225	18.90	630	HDS-280
280	225	22.50	800	XHDS-350
360	225	26.00	1000	XHDS-400

The above are standard heights, non-standard are available, please enquire.

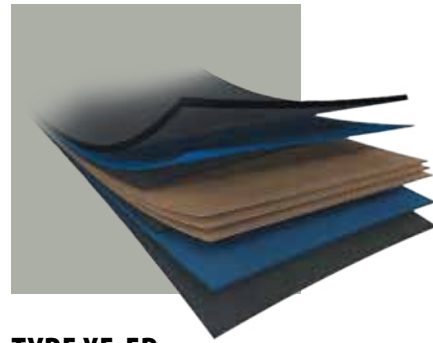
\* Urethane cleat uprights available as an option.

# Base Belts



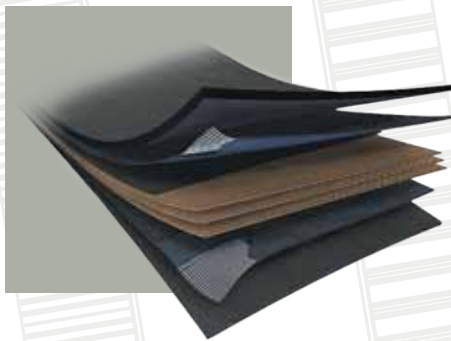
## TYPE XE

Used primarily in light to medium duty applications, the cross-stabilization is incorporated into the tensioning ply.



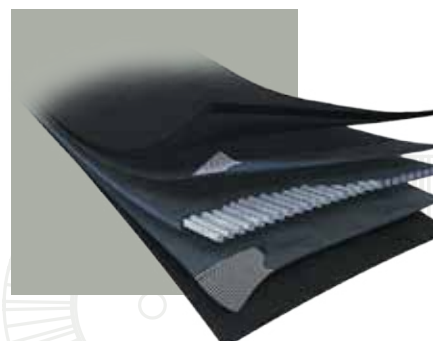
## TYPE XE-EP

Used in medium to heavy applications, the cross-stabilization ply is separate from the tensioning plies. In the example shown the belt has 2 cross-stabilising plies.



## TYPE XE-SC

Used where transverse rigidity is critical, this belt incorporates textile tensioning plies with steel cable cross-stabilizing layers.



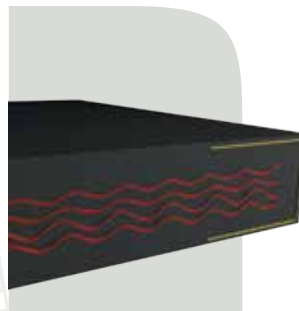
## TYPE XST-SC

Used on high vertical lift applications, this belt combines steel cable tensioning with steel cable cross-stabilizing members.

## Cover Grades

Base belts, sidewalls & cleats can be manufactured using a rubber grade specific to your application requirements. These cover grades include (but are not limited to) high abrasion resistant, oil resistant, flame resistant (MSHA, CSA-C, etc.), heat resistant, and chemical resistant. Our technical staff will assist you in selecting the correct grade to suit your needs.

## ArmorEdge



ArmorEdge is a fabric breaker that wraps around the outer edges of the belt. It is designed to provide extra protection against damage and ply delamination caused by belt tracking issues.



# Endurawall

# Questionnaire

Customer Name: .....

Date: .....

Address: .....

Conveyor Ref. Number: .....

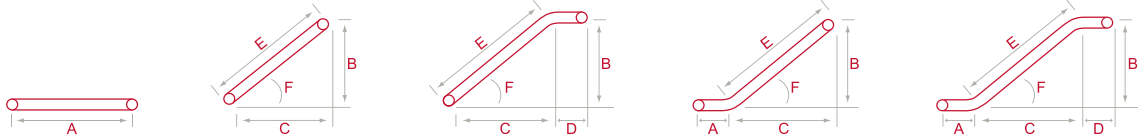
Phone: .....

New Construction:

Email: .....

Replacement Belt:

Configuration: (circle one)



A: .....

B: .....

C: .....

D: .....

E: .....

F: .....

Material Type: .....

Material Density: .....

Lump Size (min.): .....

Lump Size (max.): .....

Angle of Surcharge: .....

Capacity Requirement: .....

Ambient Temperature: .....

Material Temperature: .....

Presence of Oil:  YES  NO

Presence of Moisture: .....

Belt Style: .....

Top Cover Thickness: .....

Bottom Cover Thickness: .....

Rubber Grade: .....

Pulley Diameter (D1): .....

Pulley Diameter (D2): .....

Belt Speed: .....

Belt Length: .....

Belt Width (Bw): .....

Sidewall Inset (I): .....

Sidewall Width (W): .....

Pocket Width (Bp): .....

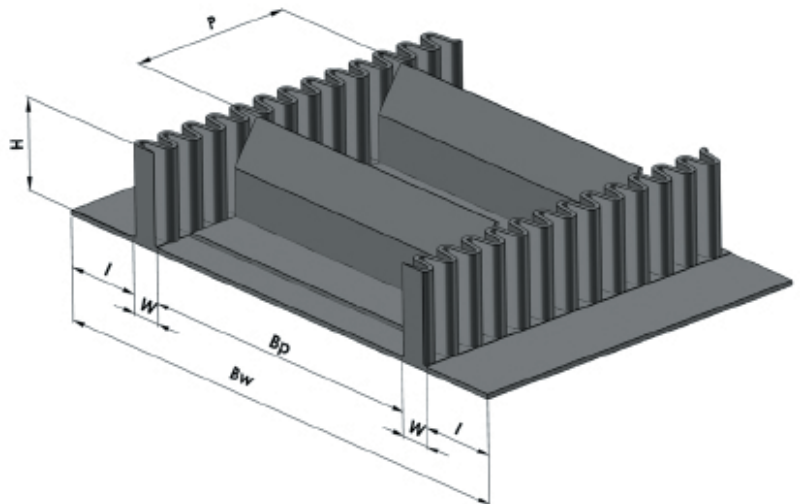
Sidewall Height (H): .....

Cleat Height: .....

Cleat Pitch (P): .....

Cleat Style: .....

Additional Information: .....



Contact information: .....



345 Marwood Drive, Oshawa Ontario  
Canada L1H 7P8

Tel: (905) 443-0150  
www.afmindustries.com

Fax: (905) 443-0155  
email: info@afmindustries.com